

# GYRU-STAR 2-100L

## TECHNICAL SPECIFICATIONS



### CARRIERS

< 1 t Loaders

### SCREENING AREA

300 mm x 1000 mm

### CAPACITY

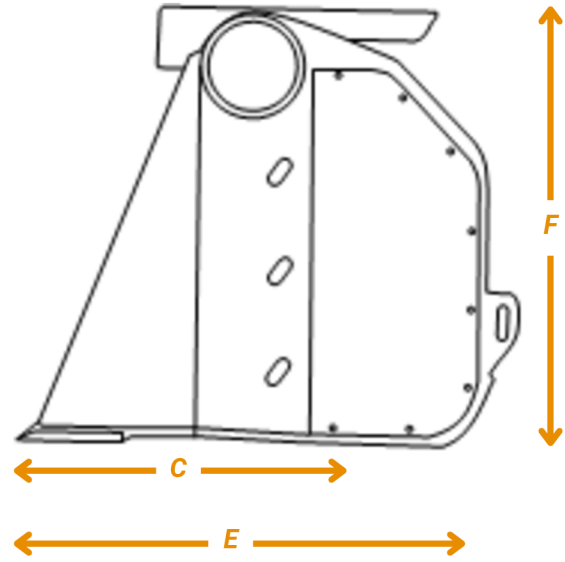
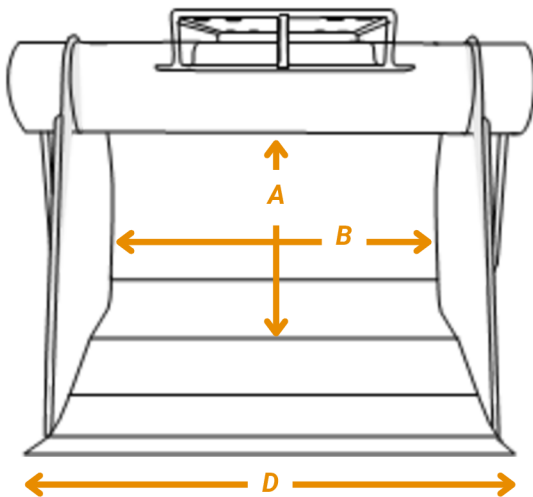
0.12 m<sup>3</sup>

### WEIGHT

240 kg

### FLOW RATE

40 l/min



**A**

**B**

**C**

**D**

**E**

**F**

300 mm

1000 mm

370 mm

1300 mm

590 mm

510 mm

**Please Note:** The given weight is for a bucket fitted with a 20 mm fragment kit. The weight may vary depending on the fragment size selected. The compatible carrier weight range may change if the screening bucket is used in conjunction with a tiltrotator.