

GYRU-STAR 3-100L

TECHNICAL SPECIFICATIONS



CARRIERS

< 1.2 t Loaders

SCREENING AREA

430 mm x 1000 mm

CAPACITY

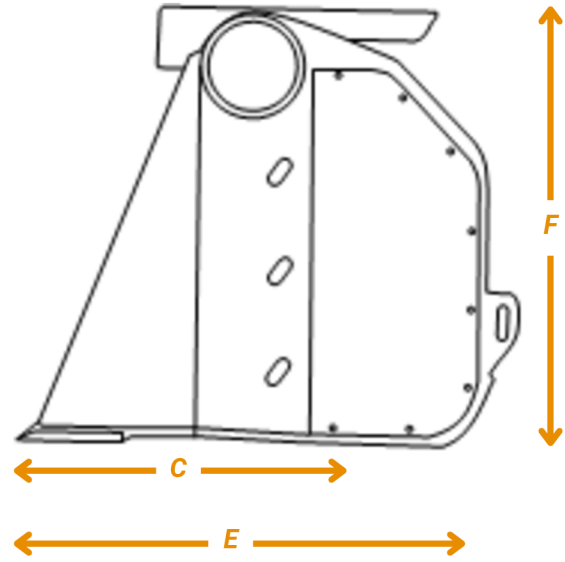
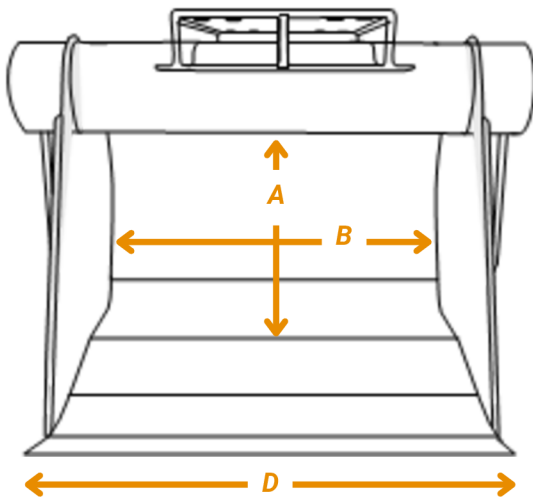
0.23 m³

WEIGHT

350 kg

FLOW RATE

65 l/min



A

B

C

D

E

F

430 mm

1000 mm

520 mm

1210 mm

760 mm

710 mm

Please Note: The given weight is for a bucket fitted with a 20 mm fragment kit. The weight may vary depending on the fragment size selected. The compatible carrier weight range may change if the screening bucket is used in conjunction with a tiltrotator.