

4-120MAX



Carriers

10 - 13 ton Excavators
6 - 8 ton Loaders

Screening Area

615mm x 1200mm

Weight

740kgs

Capacity

0.60m³

Flow

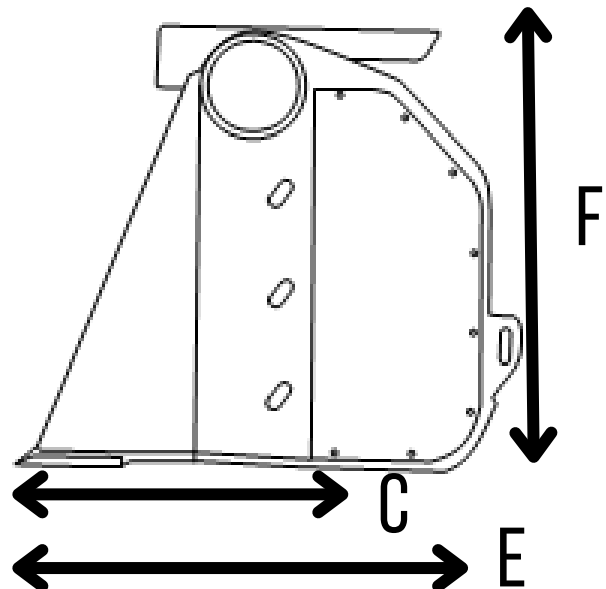
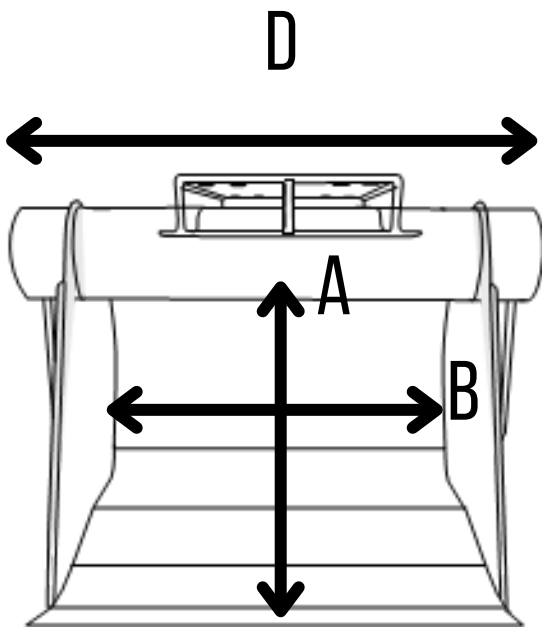
90 lpm

Dimensions

A - 615mm D - 1580mm

B - 1200mm E - 1400mm

C - 1105mm F - 890mm



True Compact Screening
Low maintenance System
Poly-Stars screen without crushing
Non-stick floor as standard