

Gyru-Star 3-150MAX



Carriers

7 - 10 ton Excavators
 15400 - 22000 lbs Excavators
 3 - 6 ton Loader Lift Capacity
 6600 - 13200 lbs Loader Lift Capacity

Weight

640 kg
 1400 lbs

Capacity

0.55 m³
 0.72 yd³

Flow

70 l/m
 18 gpm

Pressure

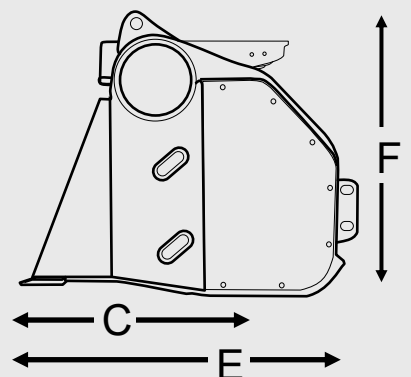
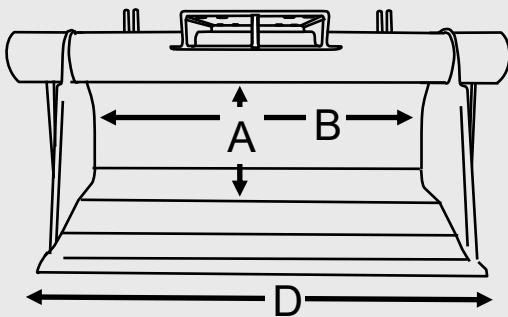
200 bar
 2900 PSI

Screening Area

430 x 1500 mm 17 x 59 inch

Dimensions

A 430 mm 17 inch **B** 1500 mm 59 inch
C 500 mm 20 inch **D** 1870 mm 74 inch
E 1400 mm 55 inch **F** 640 mm 25 inch



True compact screening

Low maintenance bucket

Poly stars which screen without crushing

Large screening area to maximise output

Stainless Steel Floor as standard

Fast efficient screening systems