

3-120L/SL



Carriers

1 - 3 ton Loaders &
Skid Steers

Weight

390kgs

Capacity

0.26m³

Flow

65 lpm

Screening Area

430mm x 1200mm

Dimensions

A - 430mm

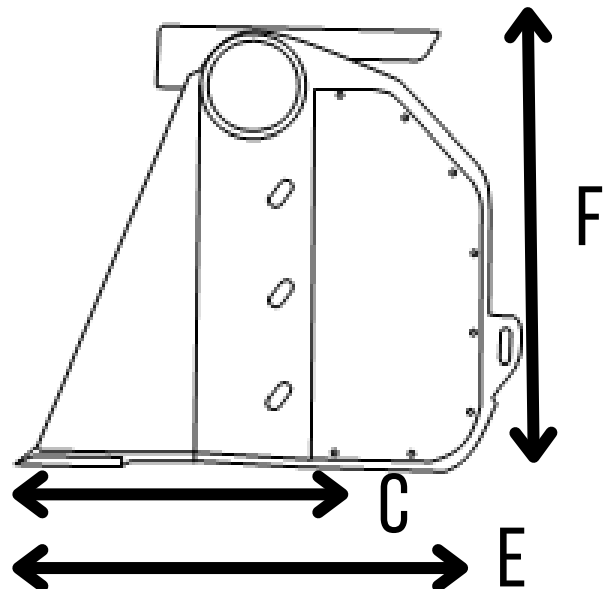
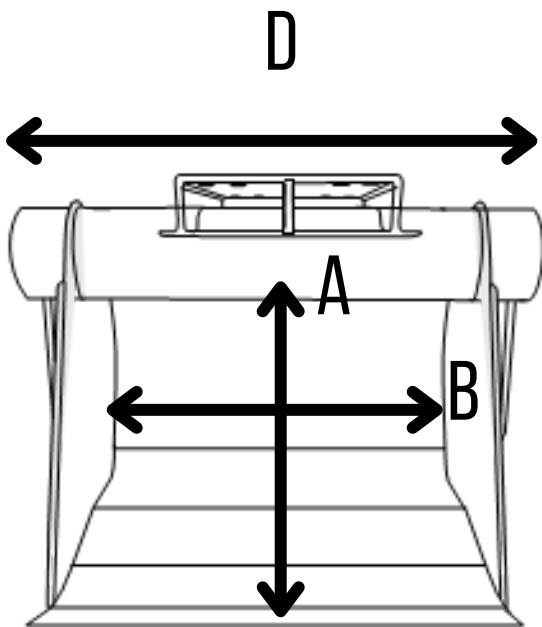
D - 1410mm

B - 1200mm

E - 760mm

C - 500mm

F - 710mm



True Compact Screening
Low maintenance System
Poly-Stars screen without crushing
Non-stick floor as standard