

4-100HE



Carriers

7 - 10 ton Excavators

Weight

560kgs

Capacity

0.35m³

Flow

90 lpm

Dimensions

Screening Area

615mm x 1000mm

A - 615mm

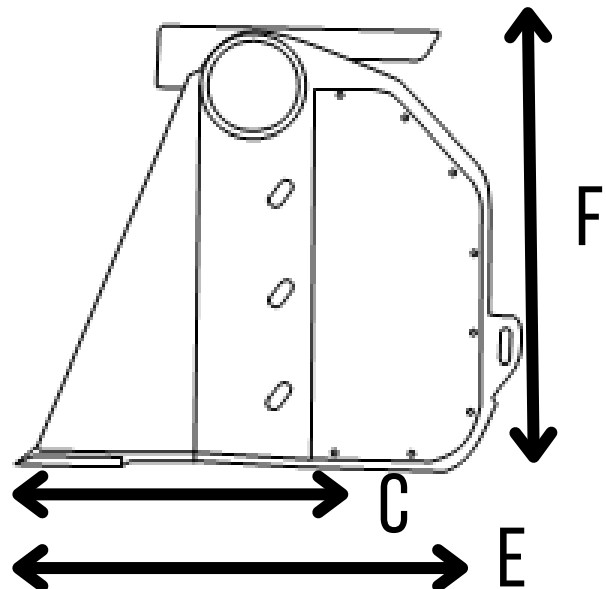
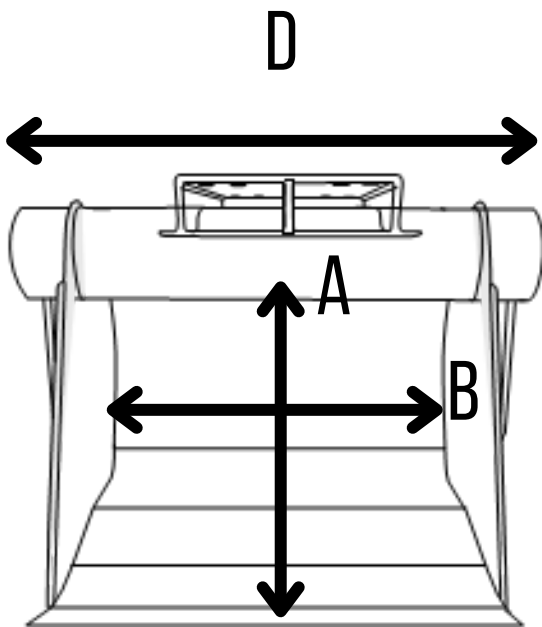
D - 1370mm

B - 1000mm

E - 1020mm

C - 665mm

F - 720mm



True Compact Screening
Low maintenance System
Poly-Stars screen without crushing
Non-stick floor as standard