

GYRU-STAR 5-150MAX

TECHNICAL SPECIFICATIONS



CARRIERS

16 - 24 t Excavators

SCREENING AREA

845 mm x 1500 mm

CAPACITY

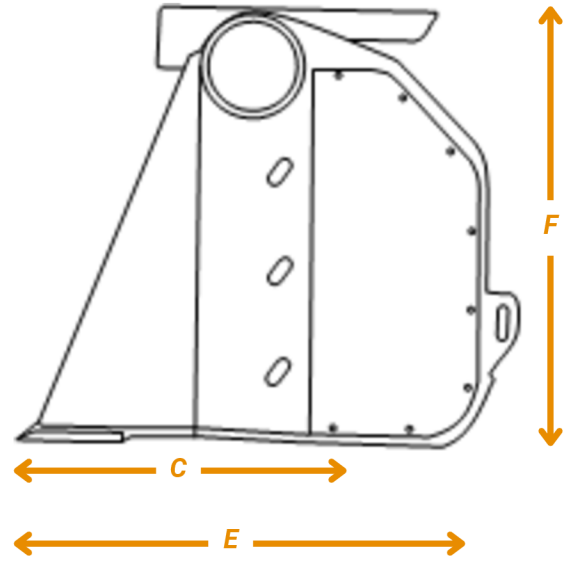
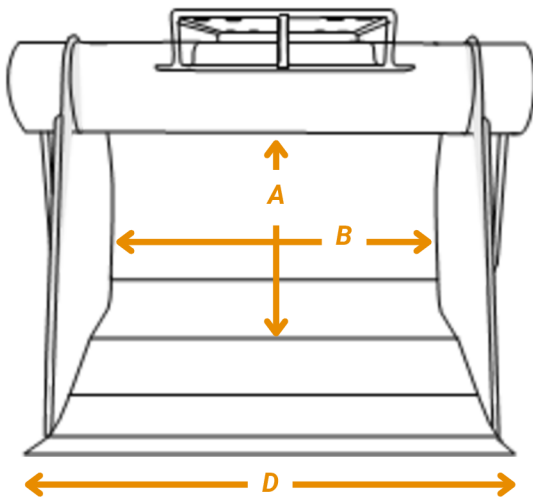
1.30 m³

WEIGHT

1200 kg

FLOW RATE

150 l/min



A

B

C

D

E

F

845 mm

1500 mm

1250 mm

1840 mm

1510 mm

1095 mm

Please Note: The given weight is for a bucket fitted with a 20 mm fragment kit. The weight may vary depending on the fragment size selected. The compatible carrier weight range may change if the screening bucket is used in conjunction with a tiltrotator.